



LIGHTS

تاروں سے ستاروں تک

Product Specification

VALUE SURFACE DOWNLIGHT





LIGHTS

Description

The Value Surface Downlight is a state-of-the-art lighting fixture engineered to serve in a variety of indoor environments. With an impressive efficacy of 100 lm/W, it delivers exceptional brightness while upholding energy efficiency, ensuring effective illumination of your space without causing undue energy expenses. It's distinctive "moonlight effect," introduces a soft and serene lighting ambiance that emulates the gentle radiance of moonlight. This makes it an ideal choice for establishing a tranquil and soothing atmosphere in spaces such as bedrooms, living rooms, and other areas. Its warranty spans up to 2 years, offering a versatile and stylish lighting solution.

Product Features

Housing	: Die-casting Aluminum + Plastic
Power	: 12W, 18W, 24W
Finishing	: Anti-corrosion Powder Coating
Control	: Non-Dimmable
Installation	: Surface Mounted
Color Temperatures	: 3000K, 4000K, 6500K
Lifespan	: 20,000hrs @L70
Warranty	: Up to 2 Years

Application Areas

- Residential
- Commercial
- Hospitality
- Offices
- Educational Institutions

Product Benefits

- Easy Installation
- Bright and Uniform Lighting Distribution
- No Hazardous Materials
- Instant On/Off, No Warm-up Time Required
- Low Maintenance Requirements





LIGHTS

VALUE SURFACE DOWNLIGHT

Product Specification

Technical Data

Model	Power (W)	CRI	Lumen (lm)	Efficiency (lm/W)*	Beam Angle	DxH (mm)
DOL-VASDL-12-XX80-120-XXX	12	≥80	1,200	100	120°	121x43
DOL-VASDL-18-XX80-120-XXX	18	≥80	1,800	100	120°	178x43
DOL-VASDL-24-XX80-120-XXX	24	≥80	2,400	100	120°	230x43

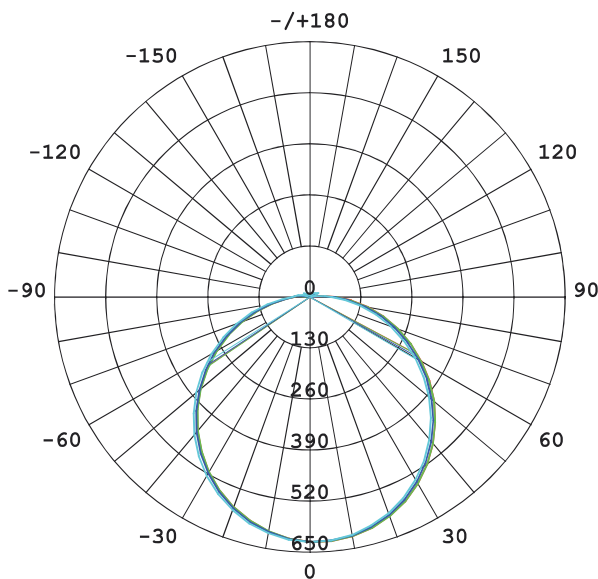
*Efficiency shown is as per the highest lumen output

Electrical Data

Wattage	12W	18W	24W
Voltage Range	85~265 Vac		
Power Factor	≥0.9		
Input Current (max) mA	0.05A @ 230VAC	0.075A @ 230VAC	0.1A @ 230VAC
Line Frequency	50~60Hz		
Surge Protection	2 kV		
Total Harmonic Distortion			

Polar Diagrams

12W/18W/24W



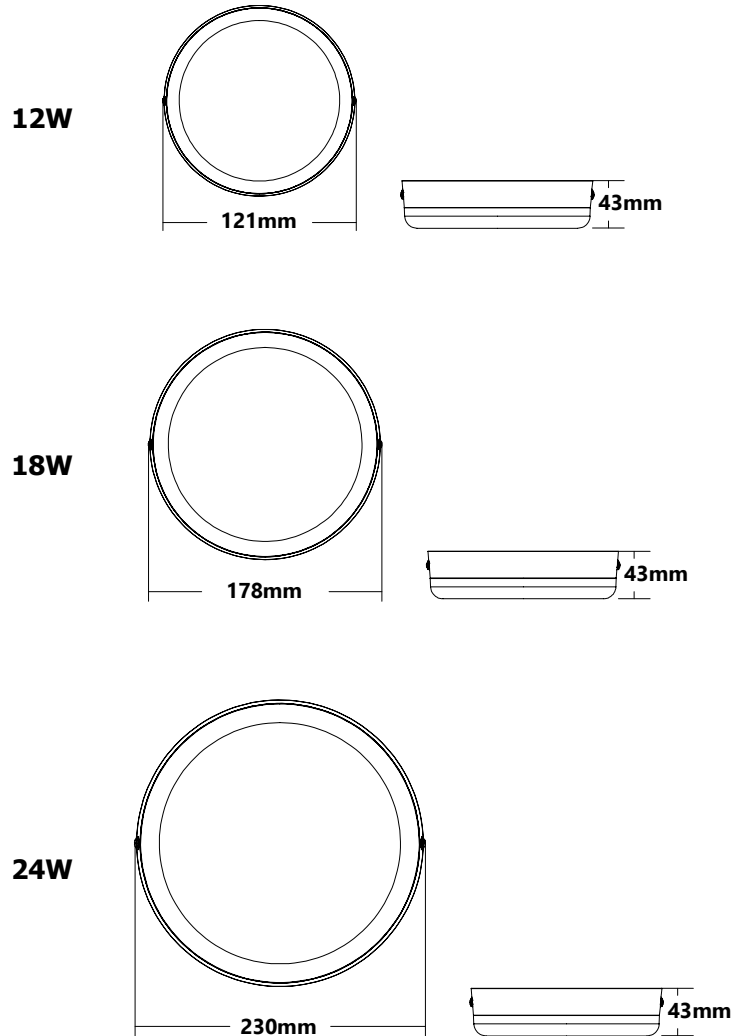


LIGHTS

VALUE SURFACE DOWNLIGHT

Product Specification

Dimension Sketch



HEAD OFFICE

192-Y BLOCK, COMMERCIAL AREA, PHASE III, DHA, LAHORE.
 PH: +92-42-35742396-9, FAX: +92-42-35742391

BRANCHES

SALES OFFICE & DISPLAY CENTER
 120-Y BLOCK, COMMERCIAL AREA, PHASE III, DHA, LAHORE.
 UAN: 111-000-343

FAISALABAD OFFICE
 ALI MALL PLAZA, 1ST FLOOR, MAIN SUSAN ROAD, BANK MOR, 12-W-101, MADINA TOWN, FAISALABAD.
 PH: +92-41-8725542

ISLAMABAD OFFICE
 ISLAMABAD EXPRESSWAY, SERVICE ROAD, NEAR PARADISE COMPLEX ISLAMABAD.
 PH: +92-51-2617540-2
 FAX: +92-51-2617543

MULTAN OFFICE
 226-A, SHAH RUKN-E-ALAM COLONY, MULTAN.
 PH: +92-61-6770810-11

PESHAWAR OFFICE
 A-6, 1ST FLOOR, TOWN CENTER PLAZA, ABDAHARAH ROAD, UNIVERSITY TOWN, PESHAWAR.
 PH: +92-91-5700372-73

KARACHI OFFICE
 OFFICE # 1402, 14TH FLOOR, EMERALD TOWER, BLOCK 5 CLIFTON, KARACHI.
 PH: +92-21-35147753-4

SIALKOT OFFICE
 HABIB MALL, OPPOSITE HOTEL THE JEEVAN'S, KASHMIR ROAD, SIALKOT.
 PH: +92-52-3252461-2

HYDERABAD OFFICE
 HOUSE NO. 80, ABDULLAH SPORTS CITY, MAIN SUPER HIGHWAY, HYDERABAD.
 PH: +92-22-6124570

GUJRANWALA OFFICE
 1ST FLOOR, 75 AL-REHMAN BUSINESS COMPLEX, MUMTAZ MARKET, GUJRANWALA.
 PH: +92-55-3846393-4

QUETTA OFFICE
 OFFICE#10, 1ST FLOOR, GULL PLAZA, SURAJ GUNJ BAZAR, SOLAR MARKET, QUETTA.
 PH: +92-81-4127207

MRK/PM/PS/VSD/23/01