

VALUE STREET LIGHT



PRODUCT FEATURES

- Die-casting Aluminum
- Anti-corrosion Powder Coating
- Non-Dimmable
- Pole Mounted
- 110 lm/W

PRODUCT BENEFITS

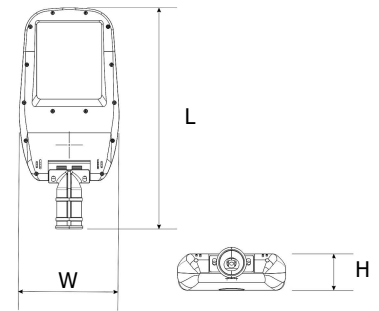
- Installation Angle Adjustable
- Road Lighting Distribution
- Anit-corrosion

SPD 4kV Line-Line	PF≥0.9	40*106.6	30,000 hrs @L70	CRI≥70
IP65	IK08	Non-Dimmable		

APPLICATION AREAS

- Suitable for Urban Roads
- Courtyard Lighting
- Municipal Engineering Lighting
- Traffic Hubs

CCT ● 3000K ● 4000K ● 6500K



Wattages	Luminous Flux	Voltage Range	LxWxH (mm)
30W	3,300	100~265V	485x210x70
50W	5,500	100~265V	485x210x70
60W	6,600	100~265V	485x210x70
100W	11,000	100~265V	538x238x102
150W	16,500	100~265V	602x276x105
200W	22,000	100~265V	697x311x112